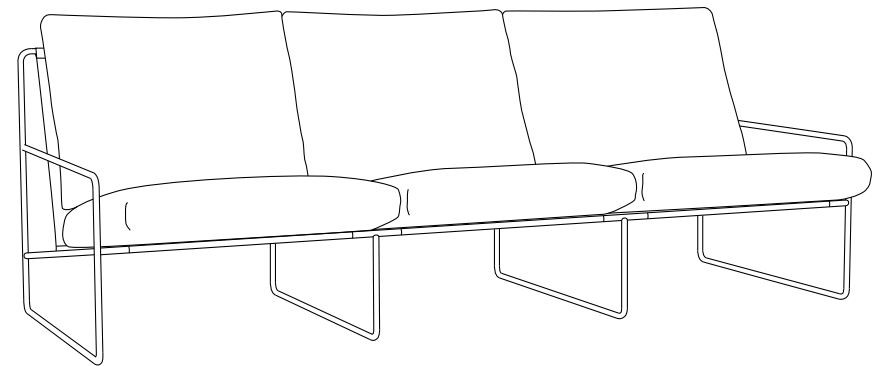


DESERT SOFA - 3-SEATER

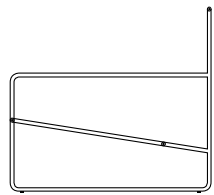
ASSEMBLY MANUAL

fermliving.com

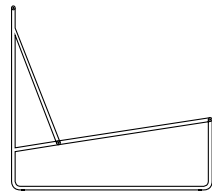


ferm
L I V I N G

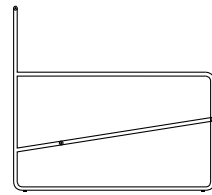
BOX CONTENT



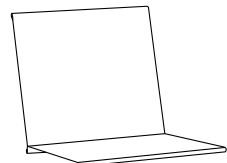
x1
Left frame



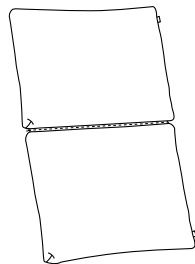
x2
Middle frames



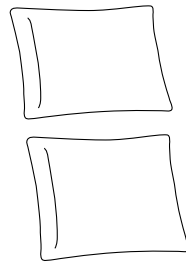
x1
Right frame



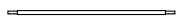
x3
Textile seat



x3
Cushion cover set



x6
Inner cushion



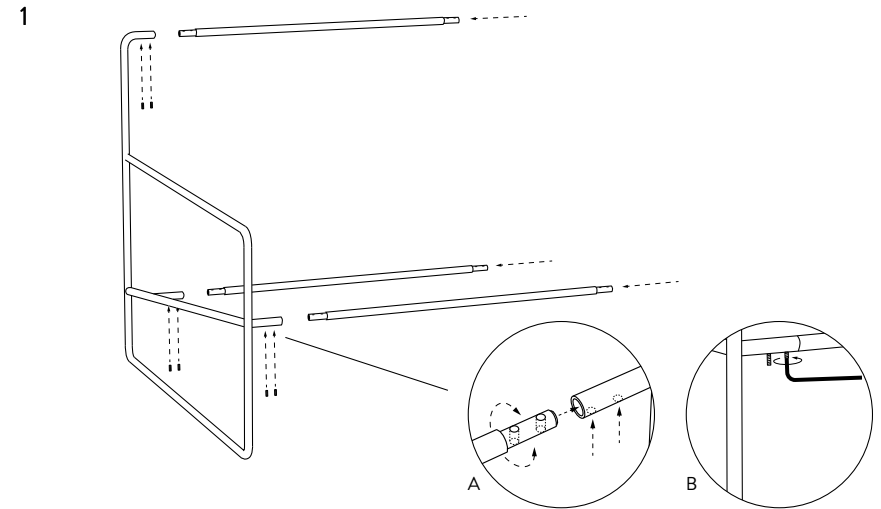
x9
Connection rod



x36
Screws

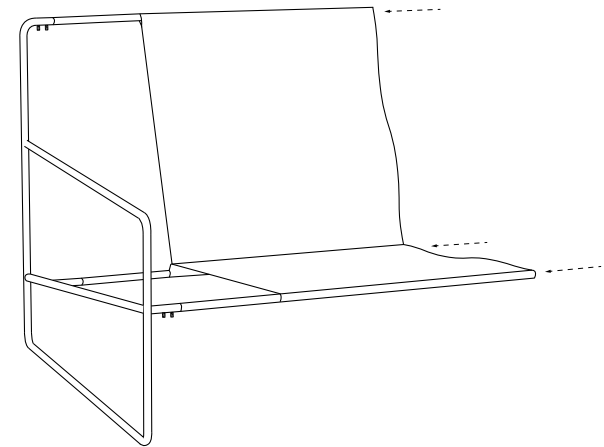


x1
Allen Key M6



1. Connect the three rods to the left-sided frame (A). Twist the rods to make sure that the screw holes on the rods and on the side frame are aligned. Use the included Allen Key to place the screws in the center of each screw hole, and carefully secure each screw **halfway** into the frame (B). This is important for the following steps.

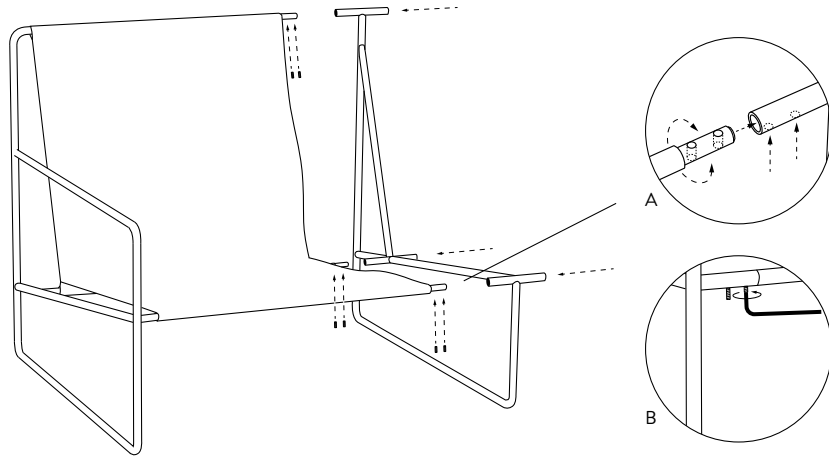
2



2. Carefully mount the fabric cover over the three rods, making sure that the screws – which are only screwed halfway into the frame – do not rip or damage the fabric.

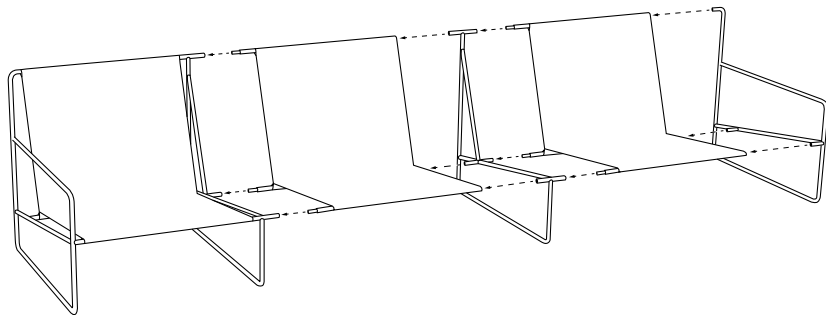
Please note:
To avoid any unnecessary mistakes, please read the entire manual carefully before beginning the assembling process.

3



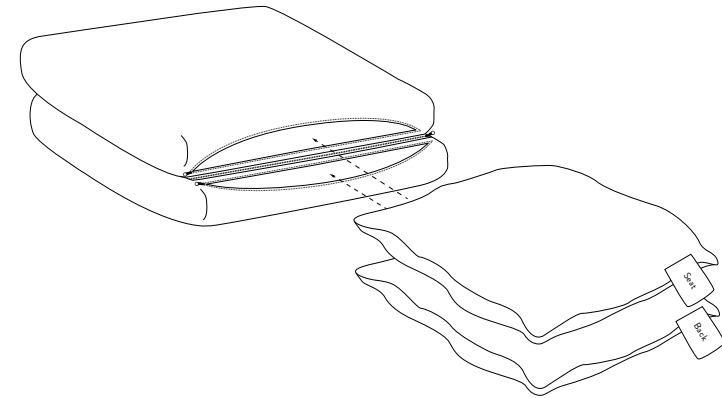
3. You will now connect the right-sided frame (A). As explained in step 1, it is important that the screw holes on the rods and on the right frame are aligned. If the screw holes do not immediately align, it is possible to carefully twist the rods until they do. When the screw holes on the rods and on the right frame are aligned, use the Allen Key to place the six screws in the center of the holes, and screw them in tightly. (B) Now, the screws on the left side of your Desert Sofa can also be tightened.

4



4. Proceed with steps 1-3 to connect the remaining parts of your Desert 3-Seater.

5



5. It is now time to put the cushion covers onto the back and seat cushions. Please be aware that the back and seat cushions are not the same size. Before attempting to place the covers onto each cushion, please make sure that they match by checking the label.