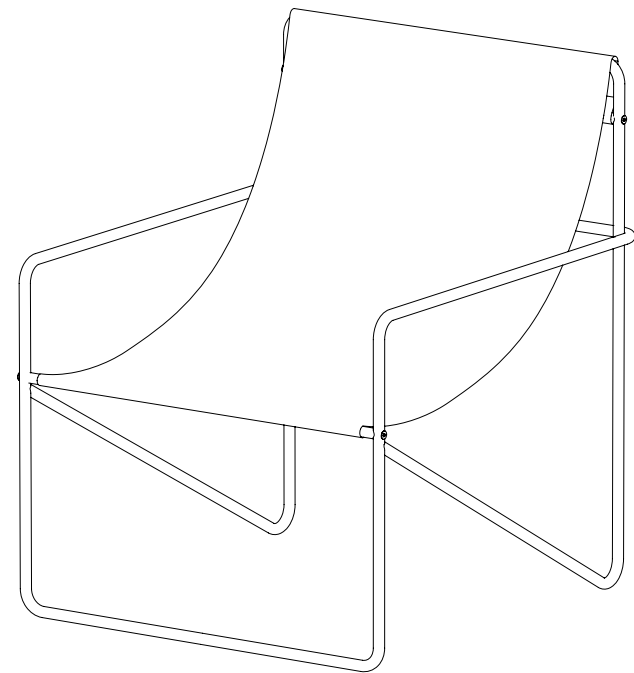


DESERT CHAIR

ASSEMBLY MANUAL

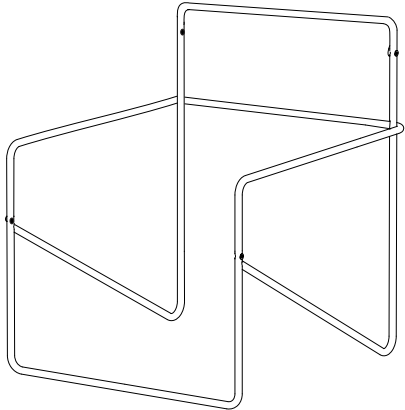
fermliving.com



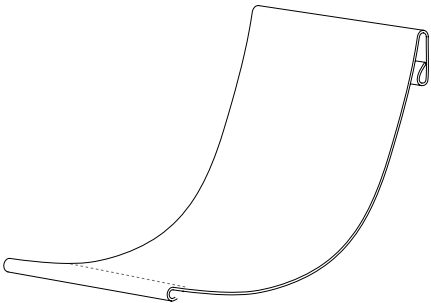
ferm
L I V I N G

CONTENT OF THE BOX

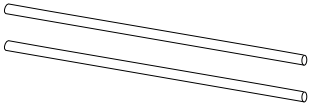
ASSEMBLY PROCESS



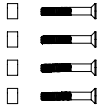
1 x frame



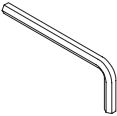
1 x seat



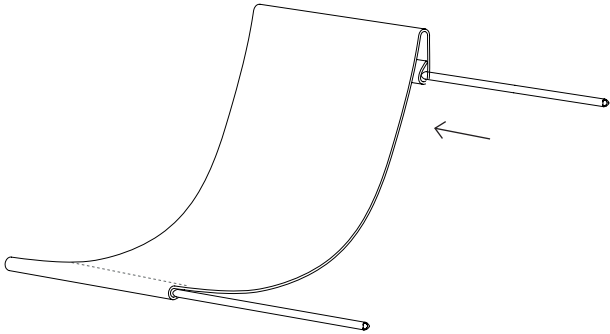
2 x bars



4 x screws



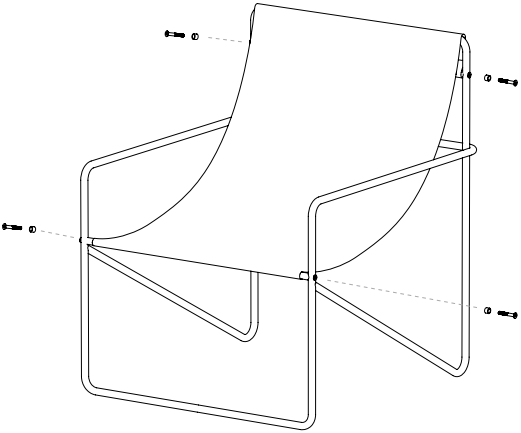
1 x hex key



1

Insert bars in the seat as illustrated.

Please make sure to flip the seat around the top.



2

Fasten the bars with the four screws included.

